

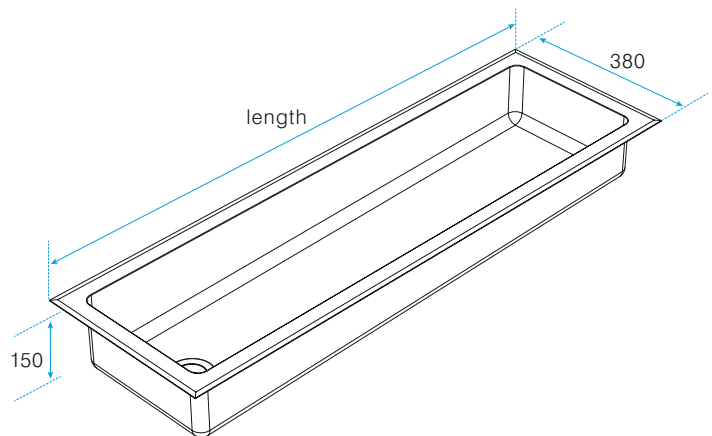
Ablution Trough - PWD Insert

An Insert Trough that is available with or without a tap landing suited to use in schools and childcare centres.



Technical Data

Product	Ablution Trough - Insert PWD Pattern
Material	Gr304 Stainless Steel
Material Thickness	1.2mm
Material Surface Finish	Satin Finished
Type of mounting	Insert
Bowl Corners	Fully Radiused
Flange Width	38mm
Overall length	from 900 to 2400mm
Overall Bowl Width	380mm
Overall Depth	150mm
Outlet Size	DN50 (50 BSP)
Outlet Position	Left or Right hand only
Front and End Facias	25mm
Tap Holes	Available in optional Tap Landing
Options	Rear tap Landing (80mm)



The information in this sheet reflects the current technical specifications at the time of publication. As part of our continuous improvement program, we reserve the right to change the technical or physical specifications without notice.

Ablution Trough - PWD Insert



- Radius corners in bowl
- Available with or without a tap landing for hob mounted taps.
- Designed to be mounted in benchtops.
- Suited to use in schools or childcare centres
- Custom versions can be made to suit specific applications.

