

# Outdoor Channels



Ideal for pedestrian use in residential or light commercial applications. A modular design, which makes it suitable for installation in the open, against walls or as a transition between areas.

The grate is suitable for paving material from 10 to 40mm thick. Channels can have multiple outlets with fall to each of them. Manufactured in Australia from Gr316 stainless steel.

Outdoor channels and grates can be made to any length, in three grate widths and two grate patterns.

## Technical Data

Model	OC100	OC75	OC50
Channel Material	Gr316 Stainless Steel		
Channel Material Thickness	1.2mm		
Channel Material Surface Finish	Satin Finished		
Grate Material	Gr316 Stainless Steel		
Grate Material Thickness	2.0 mm		
Grate Material Surface Finish	Satin Finished		
Grate Width	100mm	75mm	50mm
Maximum Length of Grate Segments	2400mm	2400mm	2400mm
Maximum Length of Channel segments	2400mm	2400mm	2400mm
Depth of Channel (Minimum)	30mm	25mm	20mm
Depth of Channel (Maximum)	65mm	50mm	35mm
Outlet Size	DN40 DN50 DN80	DN40 DN50	DN40
Return Flange	Available	Available	Available
Horizontal Tanking Flange	25mm	25mm	25mm
Vertical Tanking Flange	25mm	25mm	25mm
<b>Options</b>			
90 Degree Corners	Yes	Yes	Yes

The information in this sheet reflects the current technical specifications at the time of publication. As part of our continuous improvement program, we reserve the right to change the technical or physical specifications without notice.

## Grate patterns Available:



Angle

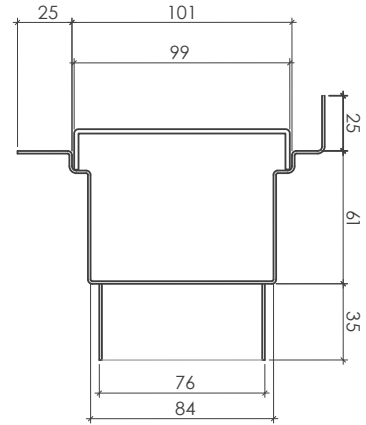
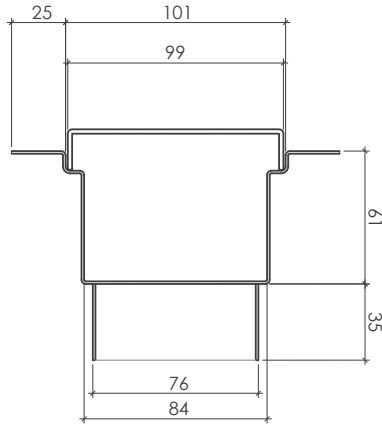
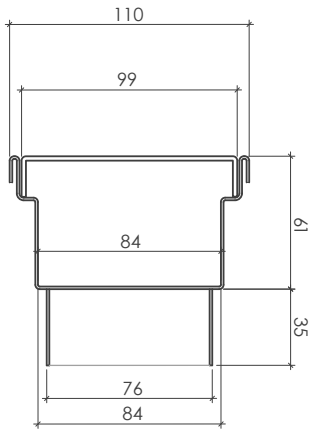


Brick

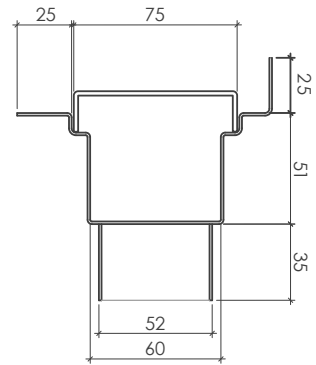
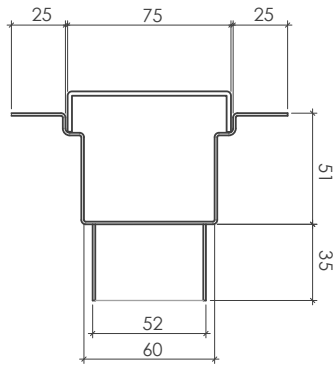
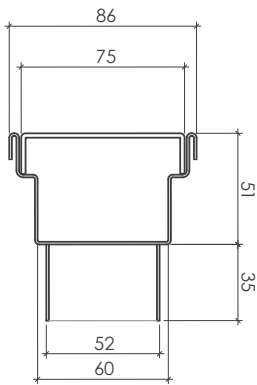


# Outdoor Channels

## model OC100



## model OC75



## model OC50

