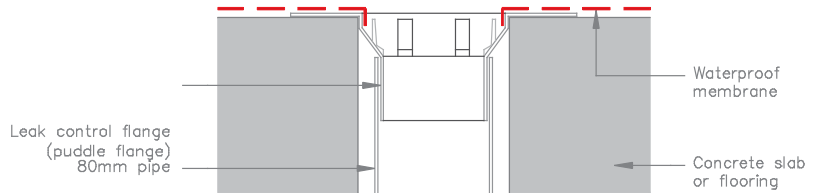




Shower channel - Low line

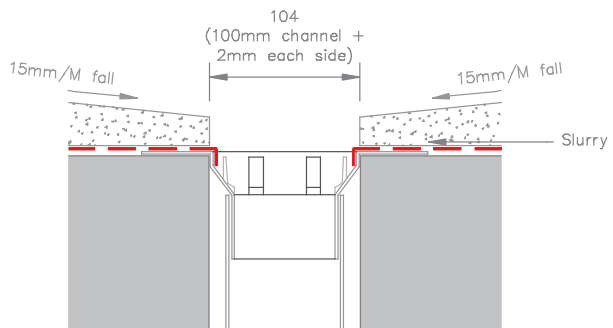
Step 1

The base of the shower should be prepared with a set down allowing for the height of the channel and a fall of 15mm per metre toward the channel. The leak control flange should be placed in position and the water proof membrane applied.



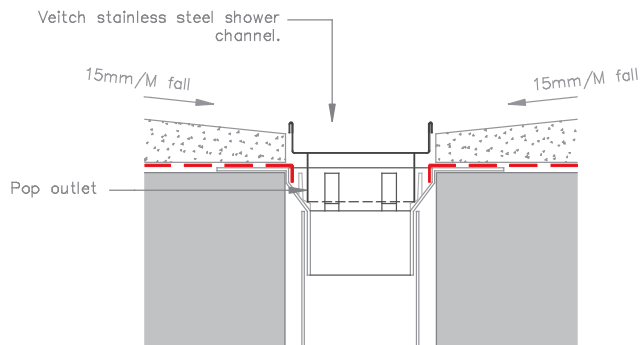
Step 2

A slurry is laid with a fall of 15mm per metre towards the channel, leaving a space 104mm wide for the length and depth of the channel.



Step 3

The channel is put into place with the waste outlet located in the Leak control flange. The height of the channel should be adjusted to be a "tile thickness plus adhesive" above the slurry.



Step 4

Tile up to the folded edge of the channel allowing a 2mm gap which is filled with silicone sealant. Place the Grate in the channel.

