

Wall Mounted Drinking Fountain

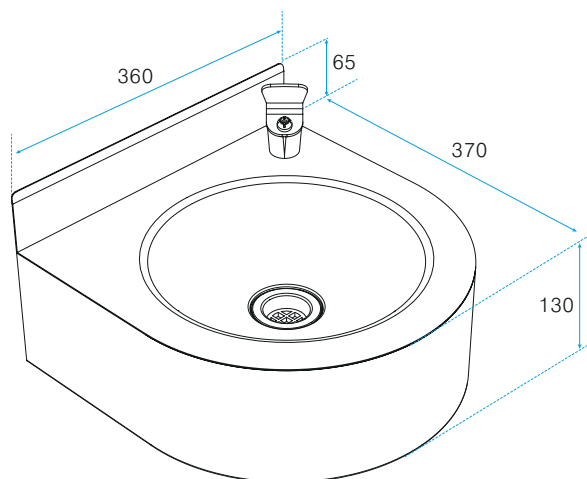


This neatly designed and compact stainless steel, single station, non-refrigerated drinking fountain particularly suited for use in schools, recreation centres and public spaces. It comes complete with a sturdy, vandal-resistant bubbler.

Veitch stainless steel drinking fountains are sold throughout Australia exclusively through the building & plumbing merchants.

Technical Data

Product	Wall Mounted Drinking Fountain
Product Code	03-2260
Type	Wall Mounted & Non Refrigerated
Suitable for	Internal and External Use
Material	Gr304 Stainless Steel
Material Thickness	1.2mm
Material Surface Finish	Satin Finished
Mounting	Wall mounted Using punched 8mm Holes in rear panel
Bubbler	Chrome plated with Rubber Mouth Guard
	Max. water Pressure is 350KPa
	Inlet: 3/8 BSP
Outlet Size	DN40 (38 BSP)
Overall Length	360mm
Overall Width	370mm
Overall Bowl Depth	67mm
Overall Height	130mm plus upstand
Rear Upstand	65mm



The information in this sheet reflects the current technical specifications at the time of publication. As part of our continuous improvement program, we reserve the right to change the technical or physical specifications without notice.

Wall Mounted Drinking Fountain

