

Squareline Drinking Fountain

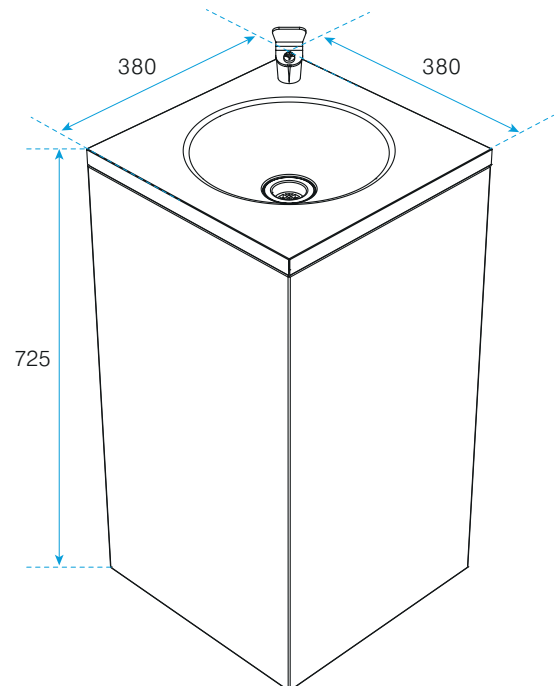


The Veitch Squareline drinking fountain is a square, freestanding, non-refrigerated, single station drinking fountain particularly suited for use in schools, recreation centers and public spaces. It comes complete with a sturdy vandal-resistant bubbler.

Veitch stainless steel drinking fountains sinks are sold throughout Australia exclusively through the building & plumbing merchants.

Technical Data

Product	Squareline Drinking Fountain	
Type	Free Standing & Non Refrigerated	
Suitable For:	Internal/External Use	
Material	Gr304 Stainless Steel	
Material Thickness	1.2mm	
Material Surface Finish	Satin Finished	
Mounting	Mounted to concrete pad using punched holes in base.	
	Access to base and plumbing connections is through a secured panel.	
Bubbler	Chrome plated with Rubber Mouth Guard	
	Max. water Pressure is 350KPa	
	Inlet: 3/8 BSP	
Outlet Size	DN40 (38 BSP)	
Overall height	725mm	Item No. 04-2223
	900mm (Made to Order)	Item No. 04-2234
Overall Footprint	380 x 380mm	
Overall Bowl Depth	67mm	



The information in this sheet reflects the current technical specifications at the time of publication. As part of our continuous improvement program, we reserve the right to change the technical or physical specifications without notice.



Squareline Drinking Fountain

