



Floor Waste



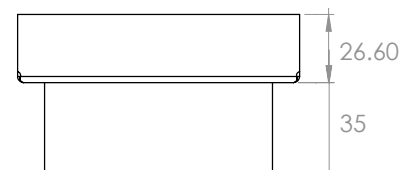
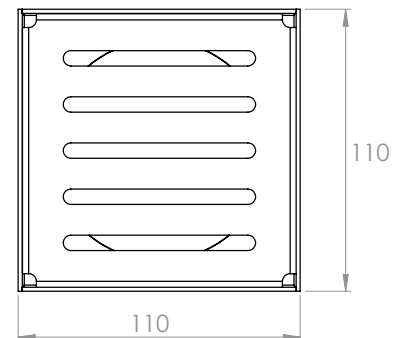
A high quality stainless steel floor waste to match the Veitch range of stainless steel shower channel grate patterns. Available in chrome, satin and black finishes. There are a choice of waste outlets to suit both DN80 and DN100.

Features:

- Available in all patterns
- Multiple outlet sizes available
- Available in satin, chrome and black finishes
- DN80 or DN100 pop outlet

Technical Data

Product	Floor Waste
Base Material	Gr304 Stainless Steel - 1.5mm
Base Finish	Satin Finish
Grate Material	Gr304 Stainless Steel - 1.2mm
Grate Finish	Satin, Chrome or Black
Grate Patterns	Aqua, Monsoon & Tile Insert
Overall Size	110mm x 110mm
Depth of Floor Waste	25mm
Outlet Size	DN80 pop or DN100 pop



The information in this sheet reflects the current technical specifications at the time of publication. As part of our continuous improvement program, we reserve the right to change the technical or physical specifications without notice.



WaterMark

ATS 5200.040
Certificate No. 23112

