

veitch

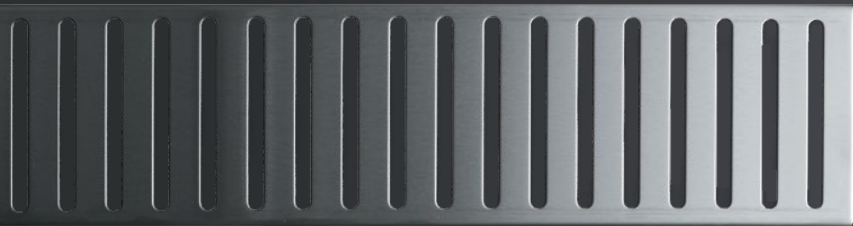
shower
channels





Tile insert grate pictured

aqua



monsoon



ripple

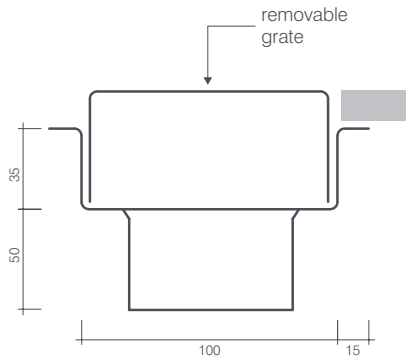


Veitch shower channels add style and function to open showers with large format tiles. Designed to be installed at the rear of the shower, it comes in both the Original model which is 35mm deep with fall to the outlet and the Lowline model that is only 20mm deep or 25mm deep for the Lowline Tile Insert.

Four stainless steel grates are available: Aqua, Monsoon, Ripple and Tile Insert. Both channel and grate are Grade 304 stainless steel.

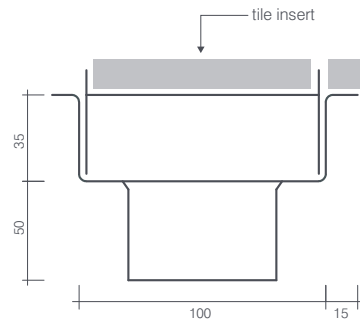
The channel and grates can be customised to have:

- An overall Length available starting at 500mm through to 2400mm.
- Tiling up stands added when the channel is placed against a wall to give improved waterproofing
- A waste outlet that can be moved along the length of the channel
- The option to upgrade the channel and grate to Grade 316 stainless steel (only available with satin finished grates)



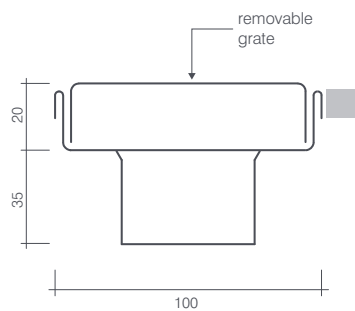
original

- 100mm wide
- 35mm deep below the tiles with fall to the 50mm BSP waste outlet
- standard lengths: 800, 900, 1200, 1500mm
- custom lengths from 500 to 2400mm
- removable grate with finger hole for easy cleaning
- optional tiling upstands



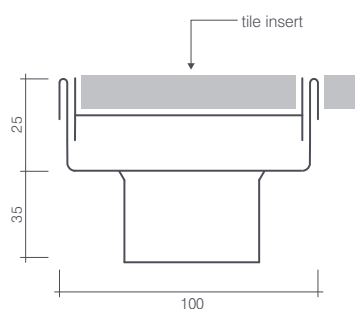
original tile insert

- Suitable for tiles from 6 - 10mm thick
- 100mm wide
- 35mm deep below the tiles with fall to the 50mm BSP waste outlet
- standard lengths: 800, 900, 1200, 1500mm
- custom lengths from 500 to 2400mm
- removable grate with finger hole for easy cleaning
- optional tiling upstands



low line channel

- 100mm wide
- 20mm deep
- 50mm pop waste (optional 75mm)
- standard lengths: 800, 900, 1200, 1500mm
- custom lengths from 500 to 2400mm
- removable grate with finger hole for easy cleaning
- optional tiling upstands



low line tile insert

- Suitable for tiles from 6 - 10mm thick
- 100mm wide
- 25mm deep
- 50mm pop waste (optional 75mm)
- standard lengths: 800, 900, 1200, 1500mm
- custom lengths from 500 to 2400mm
- removable grate with finger hole for easy cleaning
- optional tiling upstands

Standard Models

- Lengths of 800, 900, 1200 and 1500mm
- Centre waste outlet only
- No tiling upstands
- Original model suits floor tiles of up to 7mm thick

Custom Models

- Can be made to any length from 500 to 2400mm
- Waste outlet can be positioned along the channel
- Optional tiling upstands can be added where channels are placed against wall

Veitch Stainless Steel Products is committed to continual product improvement hence, reserves the right to change, without notice, the models and specifications of its products.

veitch

stainless steel
products

Proudly designed and manufactured in Australia.

53 Commercial Drive Thomastown, VIC 3074 | Phone: (03) 9465 4131 | Fax: (03) 9465 1478
Email: enquiries@veitchstainless.com.au | Web: www.veitchstainless.com.au