



veitch

outdoor
channels



Stainless Steel Outdoor Channel



Ideal for pedestrian use in residential or light commercial applications. A modular design, which makes it suitable for installation in the open, against walls or as a transition between areas.

The grate is suitable for paving material from 10 to 40mm thick. Channels can have multiple outlets with fall to each of them. Manufactured in Australia from Gr316 stainless steel.

Technical Data

Model	OC100	OC75	OC50
Channel Material	Gr316 Stainless Steel		
Channel Material Thickness	1.2mm		
Channel Material Surface Finish	Satin Finished		
Grate Material	Gr316 Stainless Steel		
Grate Material Thickness	2.0 mm		
Grate Material Surface Finish	Satin Finished		
Grate Width	100mm	75mm	50mm
Maximum Length of Grate Segments	2400mm	2400mm	2400mm
Maximum Length of Channel segments	2400mm	2400mm	2400mm
Depth of Channel			
Minimum: mm	30mm	25mm	20mm
Maximum: mm	65mm	50mm	35mm
Outlet Size	DN40	DN40	DN40
	DN50	DN50	
	DN80		
Return Flange	Available	Available	Available
Horizontal Tanking Flange	25mm	25mm	25mm
Vertical Tanking Flange	25mm	25mm	25mm
Options			
90 Degree Corners	Yes	Yes	Yes

Outdoor channels and grates can be made to any length, in three grate widths and two grate patterns.



angle pattern



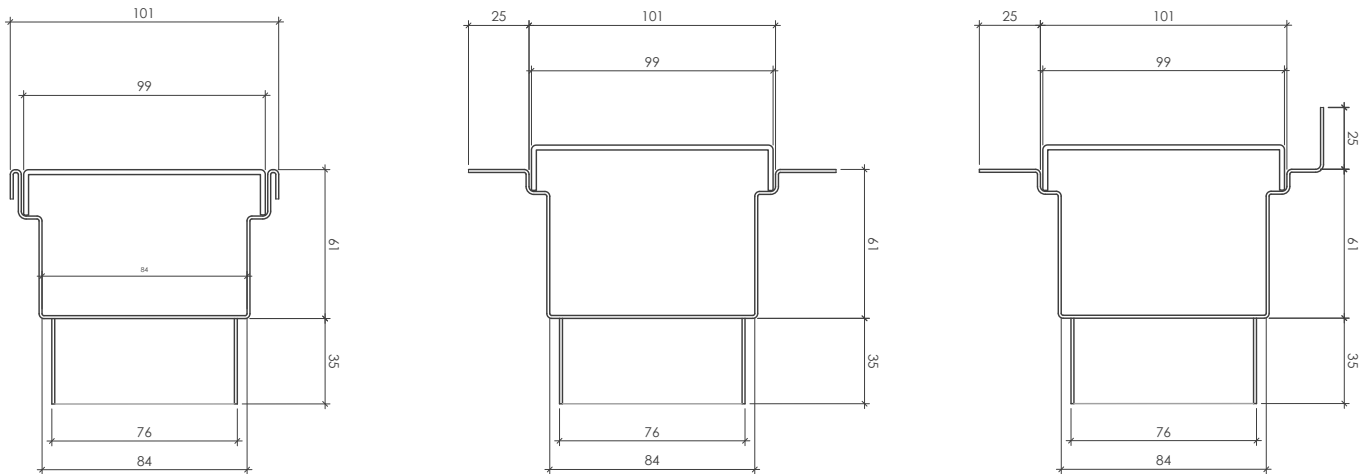
brick pattern



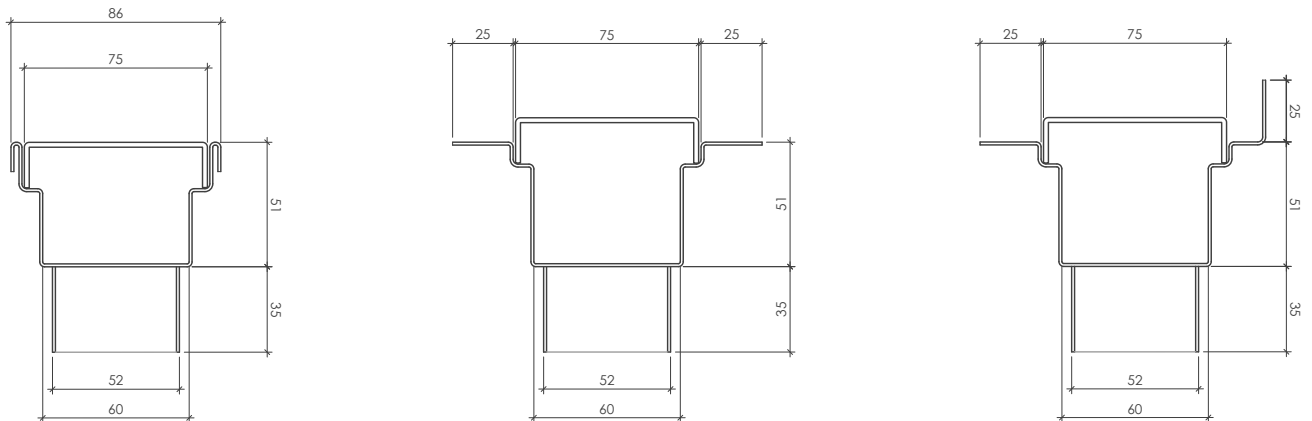
Stainless Steel Outdoor Channel

Cross-section view

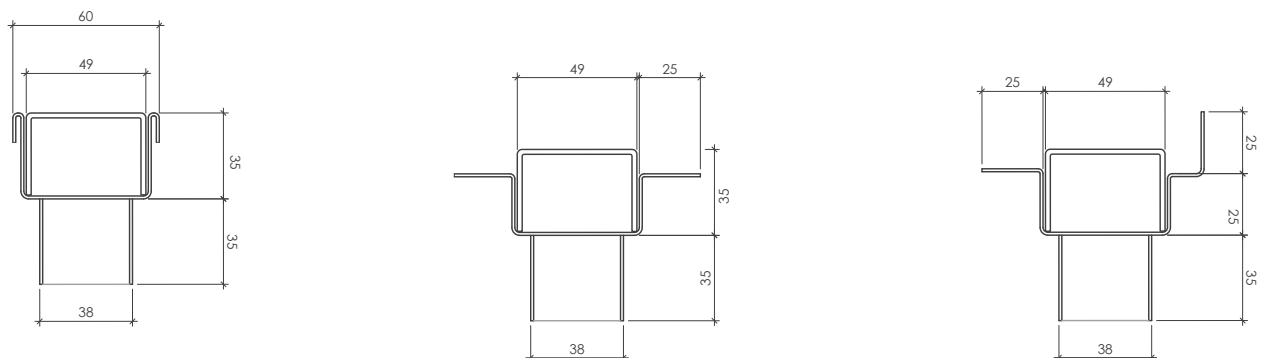
MODEL OC100



MODEL OC75



MODEL OC50





Stainless Steel Outdoor Channel

Merchant details:

Merchant Name: _____

Contact Person: _____ Order No: _____ Phone: _____

Fax: _____ Please note: A purchase order is required before processing.

1. Channel profile

Safety Edge

Flange Only

Floor tile thickness = _____ mm

Upstand

Floor tile thickness = _____ mm
 Wall tile thickness = _____ mm
 Tiling upstands = (please mark)

Rear
 Left Right

2. Grate pattern

Angle

Brick

3. Select channel width

OC100 (grate width 100mm)

1: Outlet Size:

DN 40 DN 50 DN 80

2. Depth at waste: select from 30mm to 65mm

Depth = _____mm

OC75 (grate width 75mm)

1: Outlet Size:

DN 40 DN 50

2. Depth at waste: select from 25mm to 50mm

Depth = _____mm

OC50 (grate width 50mm)

1: Outlet Size:

DN 40

2. Depth at waste: select from 20mm to 35mm

Depth = _____mm

4. Overall channel length

Length = _____mm

NOTE: Overall Length includes tiling flange width to either end.

5. Outlet position

Centered in channel length

Number of required outlets _____

1. Distance from LEFT end _____ mm

2. Distance from LEFT end _____ mm

3. Distance from LEFT end _____ mm